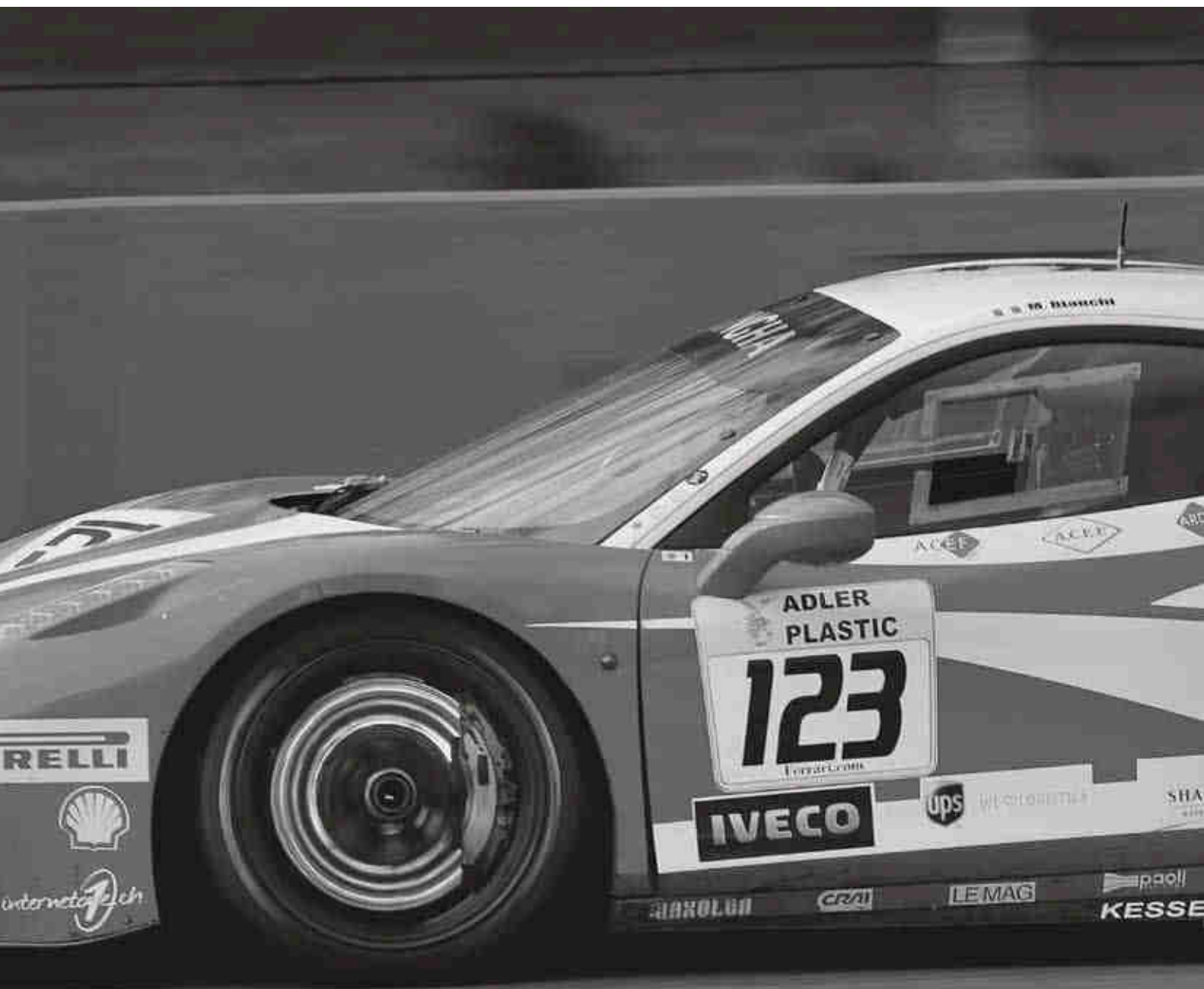




2

DISCS & FIXINGS



Fixings

2



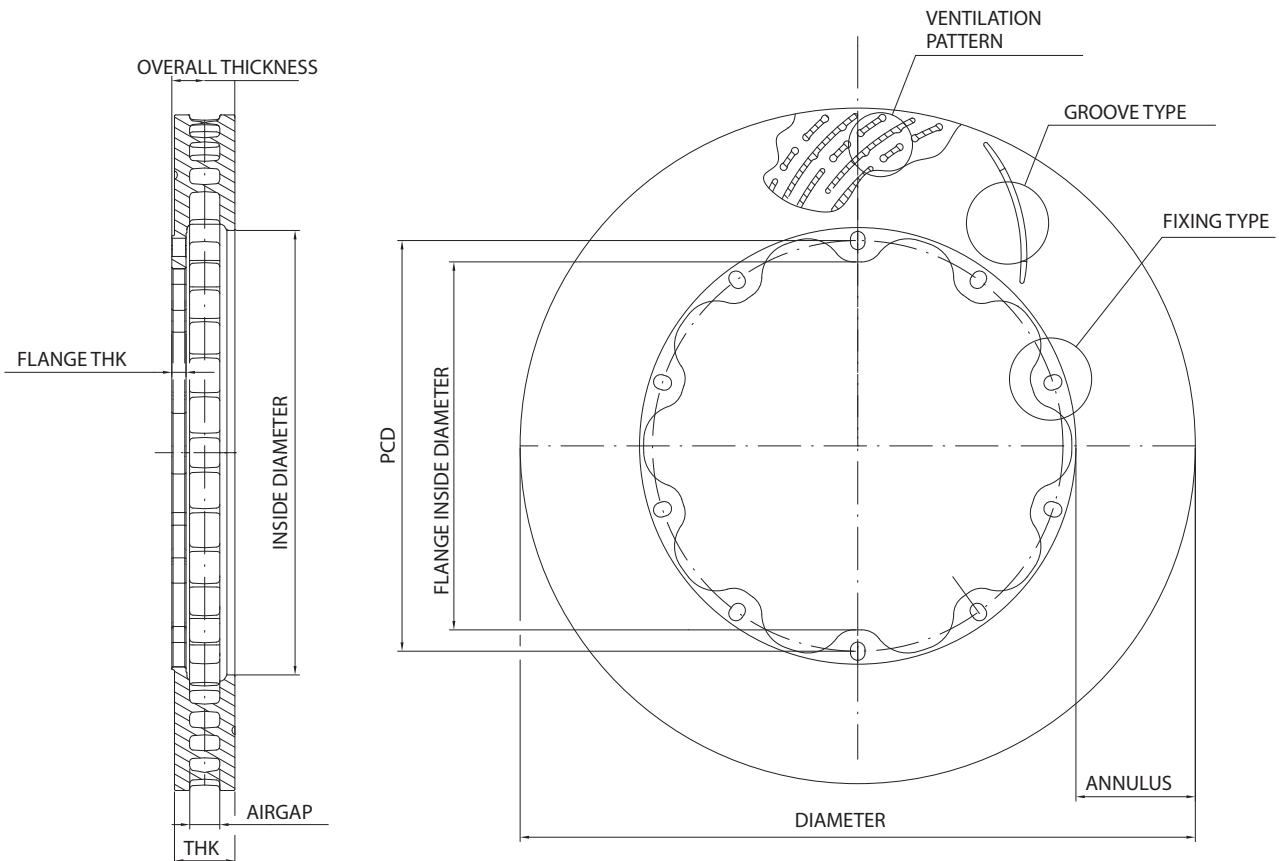
OH - Standard fixing with oval holes



R - Round holes fixing



T - Tooth fixing



Groove type



P - plain disc



T1 - groove type 1



T3 - groove type 3



T5 - groove type 5

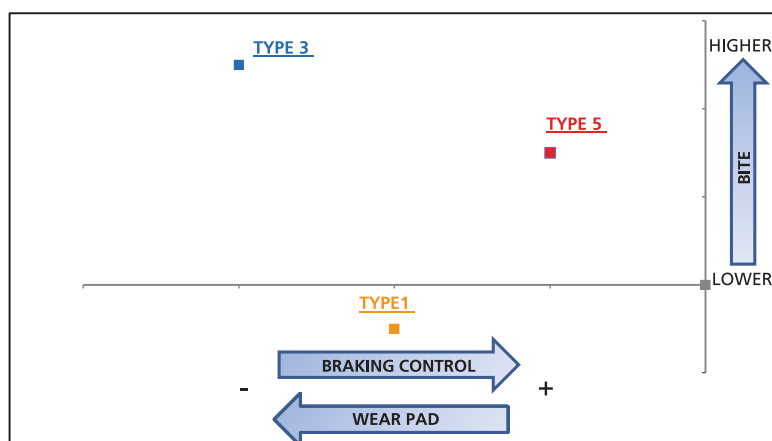


T5L - groove type 5 with logo

T2 - groove type 2: image not available.

T3L - groove type 3 with logo: image not available.

GROOVE EFFECTS



P/N	Diameter (mm) x Th (mm)	Inside diameter (mm)	DRILL	GROOVE TYPE	Annulus (mm)	Ventilation (pillar/ vanes)
09.A261.13/23	268x17	200	0	T5 x 4	39	V
09.8386.15	278x16	187,5	0	T1 x 4	45,25	P
09.8386.16	278x16	197,5	0	T1 x 4	40,25	P
09.A261.11/21	278x18	200	0	T5 x 4	39	V
09.A261.30/40	278x18	200	0	T5 x 4	39	V
09.A261.50/60	278x18	200	0	T5 x 4	39	V
08.4695.41	278x6,4	186	50	0	46	SOLID
08.4695.43	278x6,4	187	0	0	45,5	SOLID
X95.50.60	278x6,4	187	60	0	45,5	SOLID
09.5890.10/20	280x25,4	190,5	80	0	44,75	V
09.5890.30/40	280x25,4	190	0	T1 x 4	45	V
09.5890.31/41	280x28	190	0	T1 x 4	45	V
09.9021.31/41	280x28	190	0	T5 x 8	45	60V
09.7277.09/19	295x25,4	205	0	T5L x 8	45	V
09.7277.75/85	295x25,4	204	0	T5L	45,5	V
09.7277.12/22	295x25,5	205	0	T1 x 8	45	V
09.7277.10/20	295x28	190	0	T1 x 8	52,5	V
09.7277.16/26	295x28	204	0	T1 x 8	45,5	V
09.9021.30/40	295x32	190	0	T3	52,5	60V
01.7143.10	300x22	N/A	0	0	47,5	P
09.7277.13/23	300x25,4	195	0	T1 x 8	52,5	V
09.8647.70/80	300x28	195	0	T5L	52,5	V
09.9021.10/20	300x28	195	0	T5 x 5	52,5	60V
09.9021.18/28	300x28	195	0	T2	52,5	60V
09.B500.50/60	300x28	195	0	T5L x 8	52,5	V
09.8647.12/22	300x30	195	0	T5 x 5	52,5	V
09.8647.13/23	300x32	195	0	T5L x8	52,5	V
XA3.33.10/11	304x32	191,8	96	0	56,1	V
09.7277.36/46	313x25,4	224	0	T1 x 8	44,5	V
09.9221.55/65	313x25,4	224	0	T5 x 8	44,5	60V
09.9222.71/81	313x32	225	0	T5 x 10	44	V
01.7813.10	316x20	N/A	0	0	49	P
19.7813.20	316x20	N/A	0	0	49	P
09.5682.50/60	320x28	215	0	T1 x 8	52,5	V

Fixing type	Fixing holes n.	Airgap (mm)	Weight (Kg)	Overall thickness (mm)	PCD (mm)	Flange inside diameter (mm)	Flange Th (mm)
T	-	8,5	1,95	17,5	N/A	171	4,5
round holes 8,5mm	8	6,5	2,7	16,6	176	156	4,5
round holes 8,5mm	8	6,5	2,45	16,5	186	166	4,5
T	-	8,5	2,5	18	N/A	171	4,5
T	-	8,5	2,2	18	N/A	171	4,5
OH 8mmx10mm	8	8,5	2,54	17,5	186	166	4,5
N/A from Brembo	5	0	1,8	6	164	146	6,4
OH 8mmx10mm	5	0	1,8	6	172,5	154	5
OH 8mmx10mm	5	0	1,7	6	172,5	154	5
OH 8mmx10mm	8	14	3,3	25,7	176	155	6
N/A from Brembo	8	14	3,54	25,4	176,8	151	5
N/A from Brembo	8	14	3,9	26,7	176,8	151	5
N/A from Brembo	8	16	4	26,7	176,8	151	5
OH 8mmx10mm	8	14	4,12	25,4	190	166	6
T	-	16,75	3,9	25,4	N/A	175	6
OH 8mmx10mm	8	14	3,94	25,5	190	166	6
OH 8mmx10mm	8	13,75	5,1	26,7	176	154	6
OH 8mmx10mm	8	13,75	4,58	26,7	190	166	6
OH 8mmx10mm	10	16	6,2	31	176	154	8
monolithic disc	-	7,5	6,8	57,2	114,3	N/A	5
OH 8mmx10mm	8	13,75	4,5	25,4	181	160	6
T	-	16	5	28	N/A	146	6
OH 8mmx10mm	8	16	4,99	26,8	181	160	6
OH 8mmx10mm	8	16	5	26,8	181	160	6
T	-	16	4,42	28	N/A	164	6
OH 8mmx10mm	8	16	5,63	27,8	181	160	6
OH 8mmx10mm	8	16	6,22	28,8	181	160	6
N/A from Brembo	-	16	6,4	29,3	176,8	161,2	4,75
OH 8mmx10mm	8	13,75	4,3	26,6	210	187	6
round holes 8,5mm	8	16	3,64	25,1	210	194	4,5
OH 8mmx10mm	10	19,8	4,5	32,5	210	190	6
monolithic disc	-	7	7,9	65,7	100	N/A	6,7
monolithic disc	-	7	7,9	65,7	114,3	N/A	6,7
OH 8mmx10mm	8	16,5	5,2	29,5	200	182	6

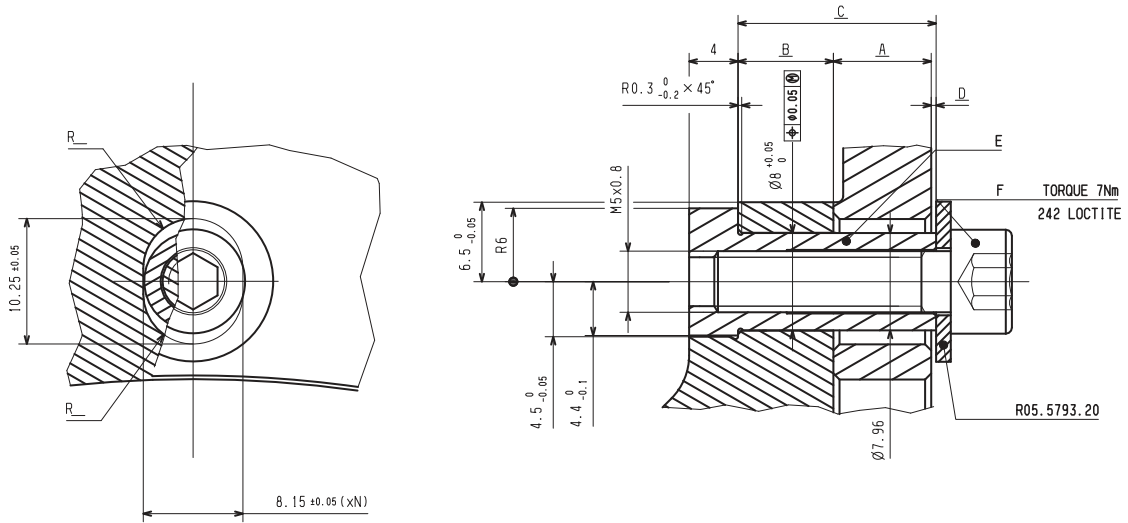
P/N	Diameter (mm) x Th (mm)	Inside diameter (mm)	DRILL	GROOVE TYPE	Annulus (mm)	Ventilation (pillar/ vanes)
09.8356.30/40	320x28	216	0	T5 x 10	52	V
01.7142.10	320x32	N/A	0	0	63,5	P
09.9226.12/22	324x28	216	0	T5 x 10	54	V
09.A882.10/20	326x26	237	0	T5 x 10	44,5	V
01.7812.10	326x30	N/A	0	0	63,5	P
19.7812.20	326x30	N/A	0	0	63,5	P
09.5682.56/66	328x27	233	0	T1 x 8	47,5	V
01.5682.72/82	328x28	220	0	0	54	V
09.8357.11/21	328x28	201	0	T5 x 6	63,5	V
09.9226.10/20	328x28	220	0	T5 x 10	54	V
XA3.41.18/28	328x28	220	0	T2	54	72V
09.8358.70/80	328x30	221	0	T2	53,5	72V
09.5682.53/63	328x32	220	0	T2	54	V
09.9226.39/49	328x32	220	0	T5 x 10	54	V
09.9227.12/22	328x32	200	0	T5 x 12	64	V
09.9227.10/20	328x35	200	0	T5 x 12	64	V
09.9229.10/20	328x35	200	0	T5 x 12	64	72V
09.8667.50/60	330x28	204	0	T3	63	V
09.9306.70/80	330x32	225	0	T3	52,5	72V
09.9306.71/81	330x32	225	0	0	52,5	72V
09.8666.53/63	332x32	225	0	0	53,5	V
09.8666.70/80	332x32	225	0	T3 x 36	53,5	V
09.A465.70/80	332x32	225	0	T5 x 10	53,5	72V
09.5759.36/46	345x28	250	0	T1 x 8	47,5	V
09.9306.12/22	350x28	224	0	T3	63	72V
09.9306.10/20	350x34	214	0	T3	68	72V
09.5759.17/27	355x28	248	0	T1 x 8	53,5	V
09.A996.10/20	355x30	249	0	T5L	53	V
09.B499.10/20	355x30	249	0	T5L x 10	53	V
01.5759.16/26	355x32	248	0	0	53,5	V
09.5683.19/29	355x32	248	0	T5L	53,5	V
09.9306.11/21	355x32	248	0	T3	53,5	72V
09.9306.30/40	355x32	228	0	T5 x 5	63,5	72V
09.9306.31/41	355x32	228	0	T5L x 10	63,5	72V

Fixing type	Fixing holes n.	Airgap (mm)	Weight (kg)	Overall thickness (mm)	PCD (mm)	Flange inside diameter (mm)	Flange Th (mm)
OH 8mmx10mm	12	16,5	5,17	29	200	182	6
monolithic disc	-	13,5	9,7	43,5	114,3	N/A	6,5
OH 8mmx10mm	10	16,5	6,1	29	206	182	6
special fixing	10	16,5	4	27,5	225	202	6
monolithic disc	-	12	10,2	53,7	100	N/A	6,7
monolithic disc	-	12	10,2	53,7	114,3	N/A	6,7
OH 8mmx10mm	10	16,5	4,9	28,5	218	196	6
OH 8mmx10mm	10	16,5	6,9	29	206	184	6
OH 8mmx10mm	12	16,5	6,1	29	184	161	6
OH 8mmx10mm	10	16,5	5,24	29	206	184	6
OH 8mmx10mm	10	16,5	5,65	29	206	184	6
OH 8mmx10mm	10	16,5	6,3	30	206	184	6
OH 8mmx10mm	10	16,5	6,6	33	206	184	8
OH 8mmx10mm	10	16,5	6,4	33	206	184	8
OH 8mmx10mm	12	16,5	7,32	33,5	184	161	8
OH 8mmx10mm	12	16,5	8,44	35	184	161	8
OH 8mmx10mm	12	19	8,3	35	184	161	8
OH 8mmx10mm	10	16,5	7,5	31	188	166	8
OH 8mmx10mm	10	17	6,7	34,5	210	190	8
OH 8mmx10mm	10	17	6,74	34,5	210	190	8
OH 8mmx10mm	10	16,5	6,9	34,5	210	190	8
OH 8mmx10mm	10	16,5	6,8	34,5	210	190	8
T	-	17	6,6	33	N/A	196	7
OH 8mmx10mm	10	17	4,9	29,5	233	209	6
OH 8mmx10mm	10	17	6,6	29,5	206	182	6
OH 8mmx10mm	10	17	9,3	34,8	197	174	8
OH 8mmx10mm	10	17	5,5	29,5	233	209	6
T	-	17	6,2	30	N/A	219	6
T	-	19,25	5,3	30	N/A	219	6
OH 8mmx10mm	10	17	6,9	34,5	233	209	8
T	-	19,75	6,3	32	N/A	219	6
OH 8mmx10mm	10	17	7,43	34,5	233	209	8
OH 8mmx10mm	10	17	8,43	18,5	210	187	8
OH 8mmx10mm	10	17	8,47	18,5	210	187	8

P/N	Diameter (mm) x Th (mm)	Inside diameter (mm)	DRILL	GROOVE TYPE	Annulus (mm)	Ventilation (pillar/ vanes)
09.9306.50/60	355x32	228	0	T2	52	72V
09.9404.12/22	355x32	234	0	T5 x 10	60,5	72V
09.A026.13/23	355x32	248	0	T5 x 10	53,5	V
09.A027.13/23	355x32	248	0	T5 x 10	53,5	V
09.A465.11/21	355x32	248	0	T3	53,5	72V
09.A465.13/23	355x32	248	0	T5 x 10	53,5	72V
09.B499.50/60	355x32	248	0	T5L x 10	53,5	72V
09.9306.14/24	355x35	248	0	T3	53,5	72V
09.8528.58/68	370x32	266	0	T2	52	72V
09.A009.10/20	370x32	265	0	T2	52,5	72V
09.8528.55/65	370x35	260	0	T1 x 8	55	72V
09.8528.51/61	375x35	260	0	T3	57,5	72V
09.8528.74/84	380x32	275	0	T3	52,5	72V
09.A009.74/84	380x32	275	0	T5 x 10	52,5	72V
09.A464.75/85	380x32	273	0	T3	53,5	72V
09.A464.76/86	380x32	273	0	T5 x 10	53,5	72V
09.8528.12/22	380x34	250	0	T3L	65	72V
09.8528.31/41	380x34	250	0	T5 x 10	65	72V
09.A009.12/22	380x34	250	0	T3	65	72V
09.A464.30/40	380x34	250	0	T5 x 10	65	72V
59.B979.30/40	380x34	250	0	T5L x 10	70	V
09.8528.32/42	380x35	250	0	T5 x 10	65	72V
09.8528.78/88	380x35	275	0	T3	52,5	72V
09.A464.55/65	380x35	273	0	T3	53,5	72V
09.A464.56/66	380x35	273	0	T5 x 10	53,5	72V
59.B979.31/41	390x32	285	0	T5L x 10	52,5	V
59.B979.35/45	390x32	260	0	T5L x 10	65	V
59.B979.34/44	390x34	260	0	T5L x 10	65	V
59.B979.36/46	390x35	260	0	T5L x 10	65	V

Fixing type	Fixing holes n.	Airgap (mm)	Weight (kg)	Overall thickness (mm)	PCD (mm)	Flange inside diameter (mm)	Flange Th (mm)
OH 8mmx10mm	10	17	8,4	34,5	210	187	8
OH 8mmx10mm	10	17	8,14	34,5	219	196	8
OH 8mmx10mm	10	17	7,5	34,5	233	209	8
OH 8mmx10mm	10	20	6,54	34,5	233	209	8
T	-	17	7,23	33	N/A	219	7
T	-	17	7,9	33	N/A	219	7
T	-	19,25	5,99	32	N/A	219	6
OH 8mmx10mm	10	17	8,6	36	233	209	8
OH 8mmx10mm	10	17	7,8	34,5	245	221	8
OH 8mmx10mm	10	20	7,16	34,5	245	221	8
OH 8mmx10mm	10	17	9	36	245	221	8
OH 8mmx10mm	10	17	9,2	36	245	221	8
OH 8mmx10mm	10	17	9,3	34,5	258	234,5	8
OH 8mmx10mm	10	20	7,37	34,5	258	234,5	8
T	-	17	7,95	33	N/A	242	7
T	-	17	8,02	33	N/A	242	7
OH 8mmx10mm	10	17	10,2	35,5	231	207	8
OH 8mmx10mm	10	17	10,27	35,5	231	207	8
OH 8mmx10mm	10	20	8,47	35,5	231	207	8
T	-	17	10,23	35	N/A	217	8
OH 8mmx10mm	10	18	10,17	35,5	231	207	8
OH 8mmx10mm	10	17	10,7	36	231	207	8
OH 8mmx10mm	10	17	9,3	36	258	234,5	8
T	-	17	9,13	34,5	N/A	242	7
T	-	17	9,16	34,5	N/A	242	7
OH 8mmx10mm	10	18	7,84	34,5	268	245	8
T	-	18	9,52	33,5	N/A	227	8
T	-	18	10,49	35	N/A	227	8
T	-	18	10,96	35,5	N/A	227	8

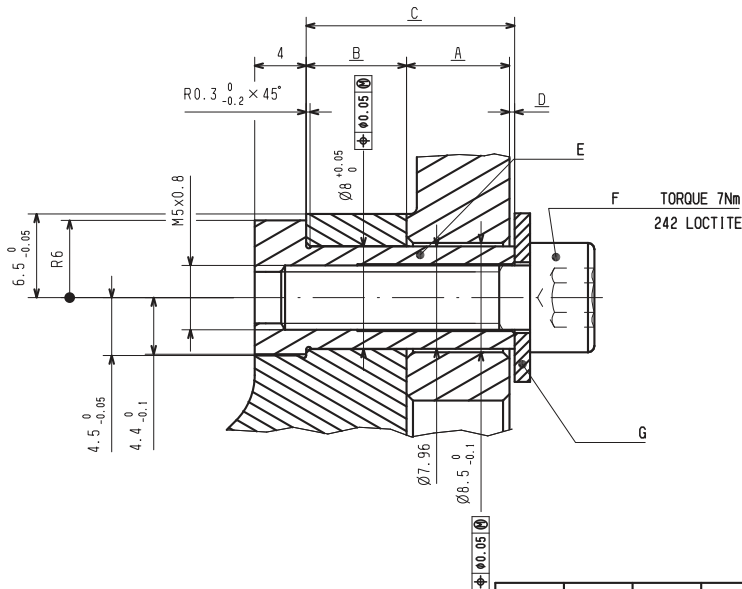
Oval holes



A	B	C	D	E	F
4.55	5.85	10.70	0.50	X 8.020.09	A1.68.3J.103
4.45	5.75	10.65	0.25		
5.05	5.55	10.70	0.30	X 8.020.09	A1.14.44.103
4.95	5.45	10.65	0.05		
6.05	5.85	12.20	0.50	X 8.020.08	A1.68.3J.103
5.95	5.75	12.15	0.25		
6.05	9.85	16.20	0.50	X 2.030.26	A1.68.3J.105
5.95	9.75	16.15	0.25		
8.05	7.85	16.20	0.50	X 2.030.26	A1.68.3J.105
7.95	7.75	16.15	0.25		

XA19902 esp A

Round Holes

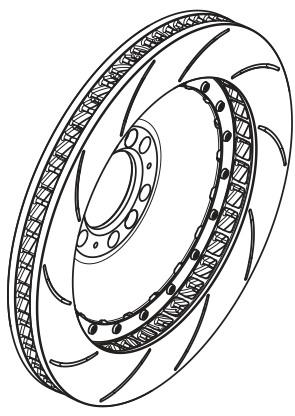
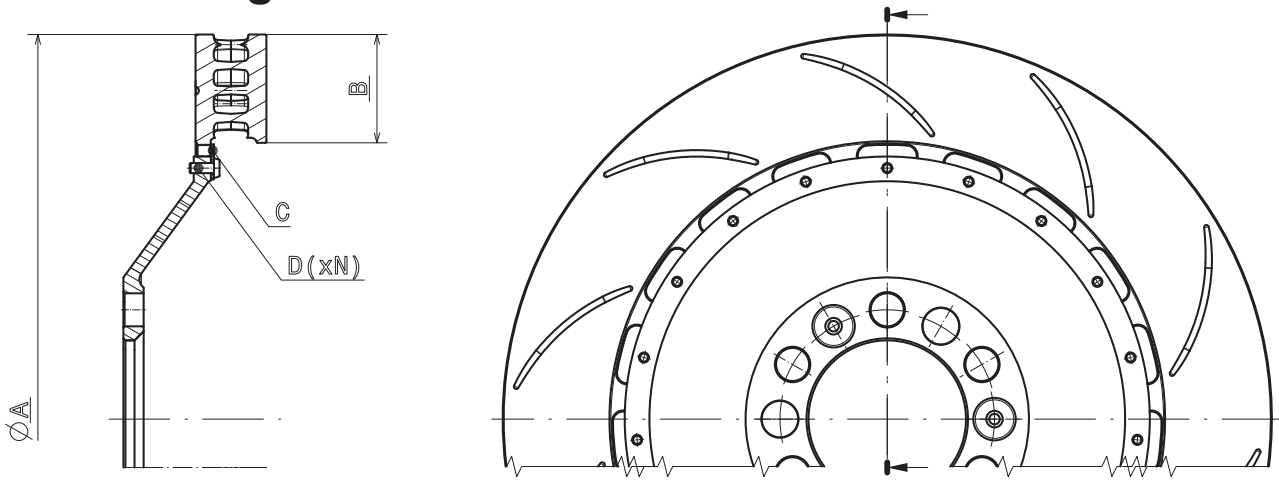


A	B	C	D	E	F	G
3.1	7.6	10.70	0.40	X 8.020.09	A1.68.3J.103	R05.5793.20
2.9	7.5	10.65	0.05			
4.55	6.05	10.70	0.30	X 8.020.09	A1.68.3J.103	X 9.002.47
4.45	5.95	10.65	0.05			
6.05	6.05	12.20	0.30	X 8.020.08	A1.68.3J.103	X 9.002.47
5.95	5.95	12.15	0.05			
8.05	8.05	16.20	0.30	X 2.030.26	A1.68.3J.105	X 9.002.47
7.95	7.95	16.15	0.05			

XA1.99.03 esp A

Heavy Duty

Tooth Fixing



Fixing ring P/N	A	B	C	D
Disc Diameter (mm)	Annulus (mm)	Screw P/N	Fixing screws n.	
XA6S197	268	39	XA5K051	11
XA6S197	278	39	XA5K051	11
05A46732	295	45,5	05877407	15
05A46734	300	52,5	05877407	15
05A46733	332	53,5	05877407	13
05A46735	355	53	05877407	15
05A46735	355	53,5	05877407	15
05A46735	355x32	53,5	05877407	15
05A46746	380	53,5	05877407	19
05A46730	380	65	05877407	21
05A46746	380	53,5	05877407	19
05A46739	390	65	05877407	21

CARBON DISCS

P/N	Material	Diameter (mm)	Th (mm)	Annulus (mm)	Ventilation holes (mm)	Weight (Kg)
XA6.M3.C3	CER 200	355	32	53	12	2,64
XA6.M3.C4	CER 200	355	32	53	12	2,64
XA6.M3.D3	CER 200	355	35	53	12	2,9
XA6.M3.C2	CER 200	380	32	53	12	2,9
XA6.M3.D2	CER 200	380	35	53	12	3,2

2

CARBON PADS

P/N	Material	Th (mm)	Annulus (mm)	Weight (Kg)
07.9076.10	CCR 400	25	53	0,32
07.9076.50	CCR 400	26	53	0,33
07.9076.22	CCR 400	26	53	0,36

Carbon Disc

Fixing number	PCD (mm)	Inside diameter (mm)	Flange inside diameter (mm)	Flange th (mm)	Related pads	
12	225	249	206	22	07.9076.10	07.9076.50
12	225	249	206	22	07.9076.10	07.9076.50
12	225	249	206	22	07.9076.22	
12	250	274	231	22	07.9076.10	07.9076.50
12	250	274	231	22	07.9076.22	

2



