

3

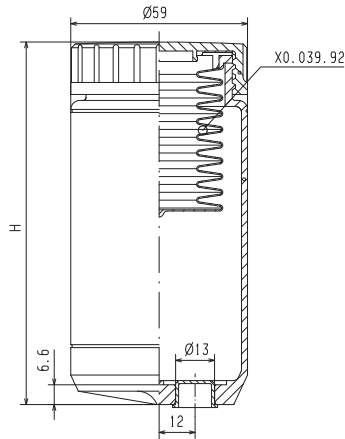
MASTER CYLINDERS & RESERVOIRS





P/N 10.8687.10/13

STANDARD RESERVOIRS



Part number	Volume [cm ³]	H
R 10.8687.10	83	75.5
R 10.8687.11	163	110.5
R 10.8687.12	180	120.5
R 10.8687.13	238	148.5

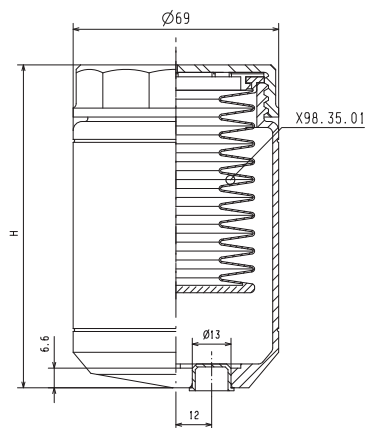
	Nipple kit	Aluminium	R 10.8687.22
	Nipple kit	Aluminium	R 10.8687.26

	Nipple		Nut		O-ring
			Washer		
			O-ring		

3

P/N 10.8687.14/15

GRAN TOURING RESERVOIRS



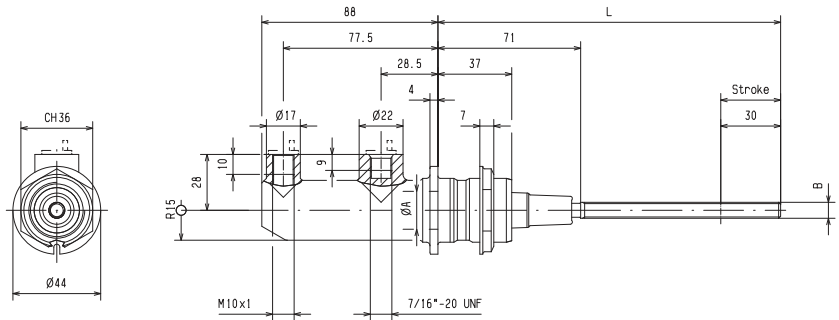
Part number	Volume [cm ³]	H
R 10.8687.14	199	108.4
R 10.8687.15	304	144.5

	Nipple kit	Aluminium	R 10.8687.22
	Nipple kit	Aluminium	R 10.8687.26

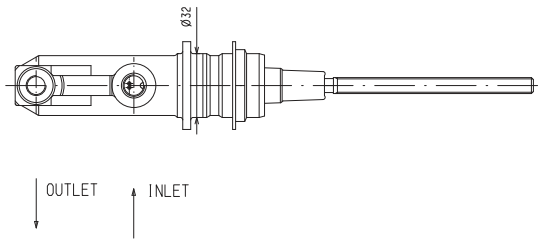
	Nipple		Nut		O-ring
			Washer		
			O-ring		

P/N 10.6815.56/97

SINGLE NUT FIXING MASTER CYLINDER



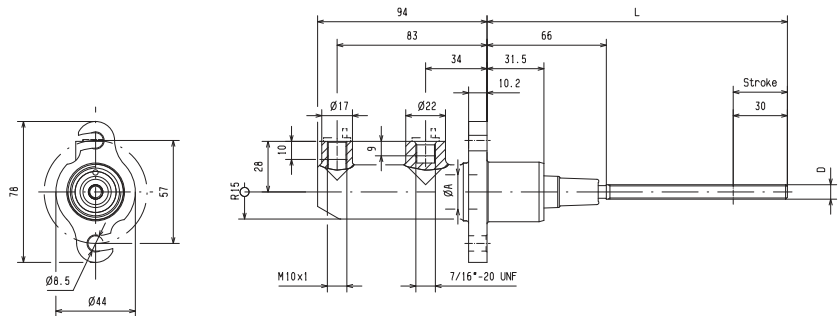
ØA	B	L	Part Number
17.46	5/16" 24UNF	171	R 10.6815.57
17.46	M10x1	122	R 10.6815.56
19.05	5/16" 24UNF	171	R 10.6815.77
19.05	M10x1	122	R 10.6815.76
20.64	5/16" 24UNF	171	R 10.6815.87
20.64	M10x1	122	R 10.6815.86



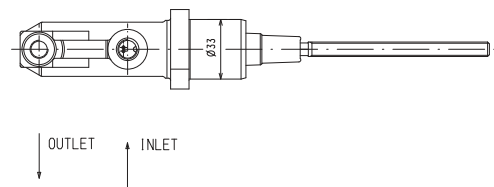
3

P/N 10.9243.54/96

TWO BOLT FIXING MASTER CYLINDER

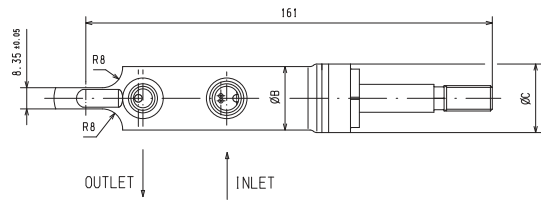
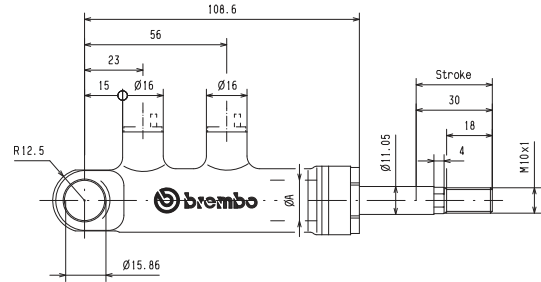
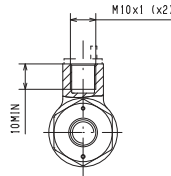


ØA	D	L	PUSHER END MATERIAL	PART NUMBER
17.46	M8x1.25	117	STEEL	R 10.9243.54
	5/16"-24UNF	166	STEEL	R 10.9243.55
19.05	M8x1.25	117	TITANIUM	R 10.9243.56
	5/16"-24UNF	166	STEEL	R 10.9243.74
20.64	M8x1.25	117	TITANIUM	R 10.9243.75
	5/16"-24UNF	166	STEEL	R 10.9243.76
22.22	M8x1.25	117	STEEL	R 10.9243.84
	5/16"-24UNF	166	STEEL	R 10.9243.85
22.22	M8x1.25	117	TITANIUM	R 10.9243.86
	5/16"-24UNF	166	STEEL	R 10.9243.94
22.22	M8x1.25	117	TITANIUM	R 10.9243.95
	5/16"-24UNF	166	TITANIUM	R 10.9243.96



P/N X97.54.11/16

FRONT PIVOT FIXING MASTER CYLINDER

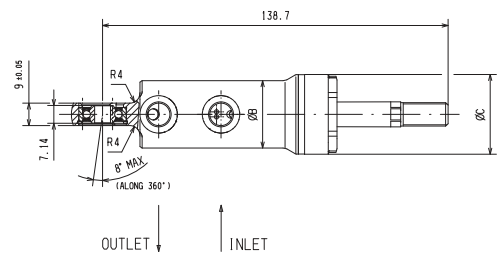
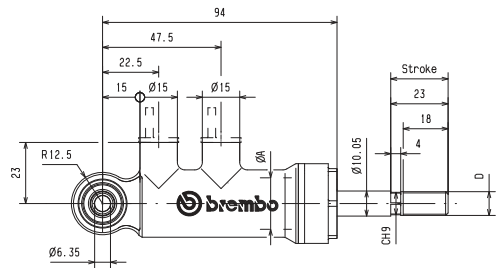
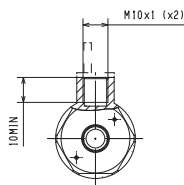


ØA	ØB	ØC		Part Number
15	25	27	X	97.54.11
16	25	27	X	97.54.12
17	25	30	X	97.54.13
18	25	30	X	97.54.14
19.05	25	30	X	97.54.15
20.64	26	30	X	97.54.16

3

P/N XA2.L2.A7/F7 – XA3.G1.32/45

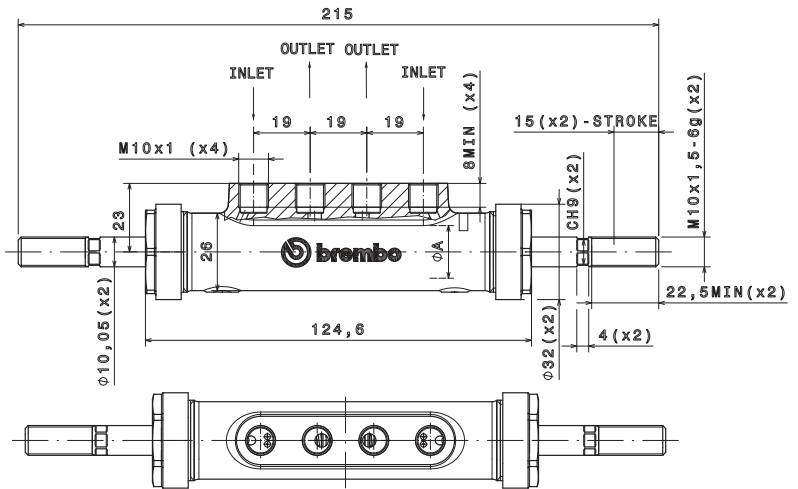
FRONT PIVOT FIXING WITH VERTICAL BEARING MASTER CYLINDER



ØA	ØB	ØC	D		Part Number
16.00	25	30	3/8"-24UNF	X	A3.G1.42
			M10x1	X	A3.G1.32
17.46	25	30	3/8"-24UNF	X	A3.G1.44
			M10x1	X	A3.G1.34
19.00	25	30	3/8"-24UNF	X	A3.G1.45
			M10x1	X	A3.G1.35
20.64	27	32	3/8"-24UNF	X	A2.L2.A7
			M10x1	X	A2.L2.F6
22.22	27	32	3/8"-24UNF	X	A2.L2.A8
			M10x1	X	A2.L2.F7

P/N XA7.B9.11/13

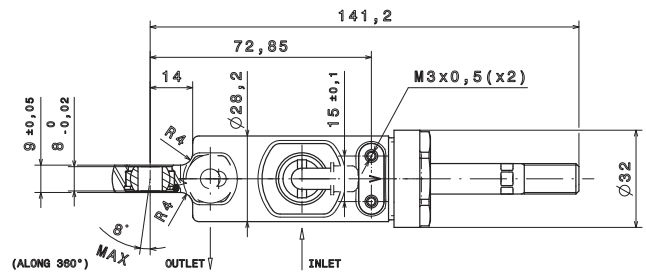
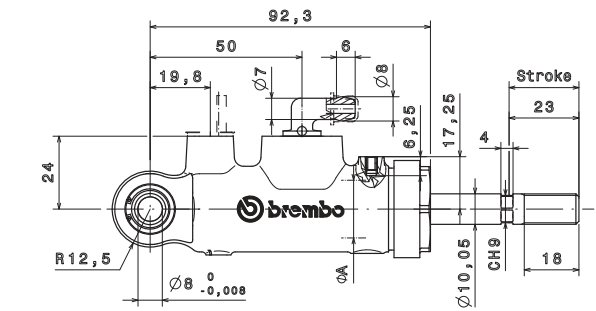
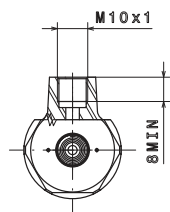
TWIN MASTER CYLINDER FOR HANDBRAKE



ϕA	Part Number
16,00	XA7.B9.11
17,00	XA7.B9.12
18,00	XA7.B9.13

XB2.B5.11/15 - A1/A5

FORGED MASTER CYLINDER



ϕ	pushrod	p/n
16	M10x1	X B2.B5.11
17,46		X B2.B5.12
19		X B2.B5.13
20,64		X B2.B5.14
22,22		X B2.B5.15
16	3/8"-24UNF	X B2.B5.A1
17,46		X B2.B5.A2
19		X B2.B5.A3
20,64		X B2.B5.A4
22,22		X B2.B5.A5

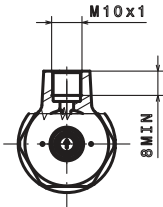
XB2.B5.11/15: pushrod end M10x1

XB2.B5.A1/A5: pushrod end 3/8" - 24UNF

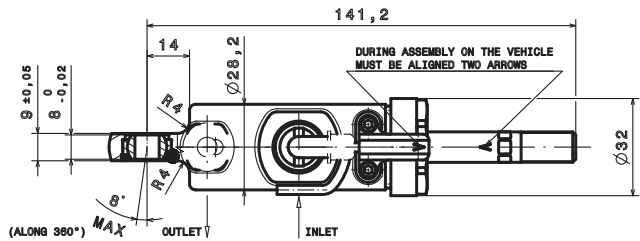
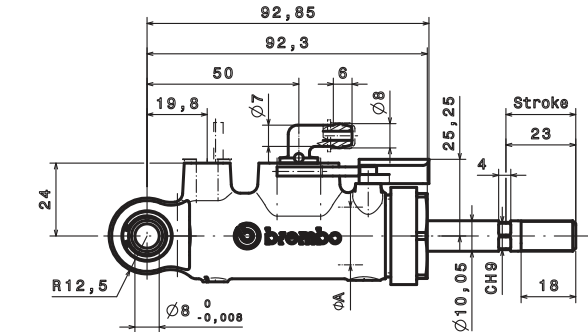
XB2.B5.16/20 - A6/B0

FORGED MASTER CYLINDER WITH TRAVEL SENSOR

Travel sensor p/n XB2.B5.90



ø	pushrod	p/n
16	M10x1	X B2.B5.16
17,46		X B2.B5.17
19		X B2.B5.18
20,64		X B2.B5.19
22,22		X B2.B5.20
16	3/8"-24UNF	X B2.B5.A6
17,46		X B2.B5.A7
19		X B2.B5.A8
20,64		X B2.B5.A9
22,22		X B2.B5.B0

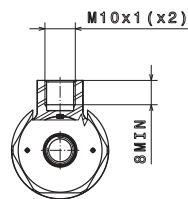


XB2.B5.16/20: pushrod end M10x1

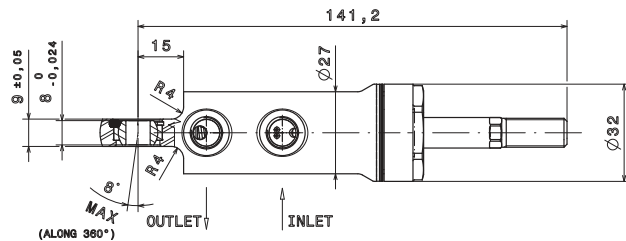
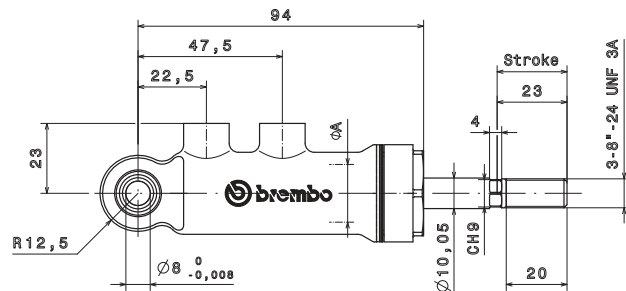
XB2.B5.A6/B0: pushrod end 3/8" - 24UNF

XB2.E4.A1/A5

FORGED MASTER CYLINDER

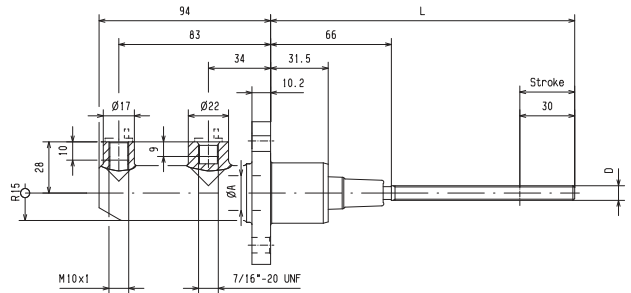
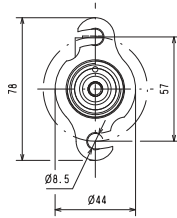


ø	pushrod	p/n
16	3/8"-24UNF	X B2.E4.A1
17		X B2.E4.A2
19		X B2.E4.A3
20,64		X B2.E4.A4
22,22		X B2.E4.A5

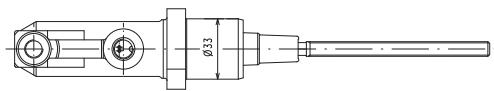


P/N 10.9243.54/96

TWO BOLT FIXING MASTER CYLINDER



ØA	D	L	PUSHED MATERIAL	PART NUMBER
17.46	M8x1.25	117	STEEL	R 10.9243.54
	5/16"-24UNF	166	STEEL	R 10.9243.55
19.05	M8x1.25	117	TITANIUM	R 10.9243.56
	5/16"-24UNF	166	STEEL	R 10.9243.74
20.64	M8x1.25	117	TITANIUM	R 10.9243.75
	5/16"-24UNF	166	STEEL	R 10.9243.76
22.22	M8x1.25	117	STEEL	R 10.9243.84
	5/16"-24UNF	166	STEEL	R 10.9243.85
22.22	M8x1.25	117	TITANIUM	R 10.9243.86
	5/16"-24UNF	166	STEEL	R 10.9243.94
22.22	5/16"-24UNF	166	STEEL	R 10.9243.95
	M8x1.25	117	TITANIUM	R 10.9243.96

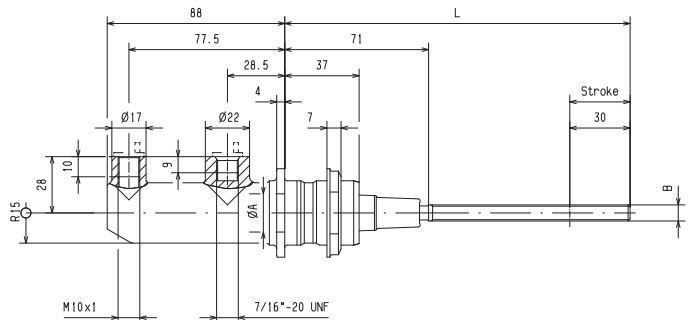
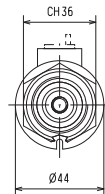


OUTLET ↑ INLET

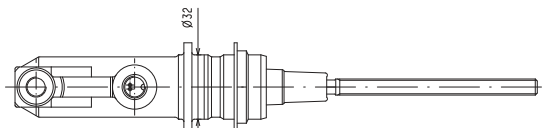
3

P/N 10.6815.56/97

SINGLE NUT FIXING MASTER CYLINDER



ØA	B	L	Part Number
17.46	5/16" 24UNF	171	R 10.6815.57
17.46	M10x1	122	R 10.6815.56
19.05	5/16" 24UNF	171	R 10.6815.77
19.05	M10x1	122	R 10.6815.76
20.64	5/16" 24UNF	171	R 10.6815.87
20.64	M10x1	122	R 10.6815.86



OUTLET ↑ INLET