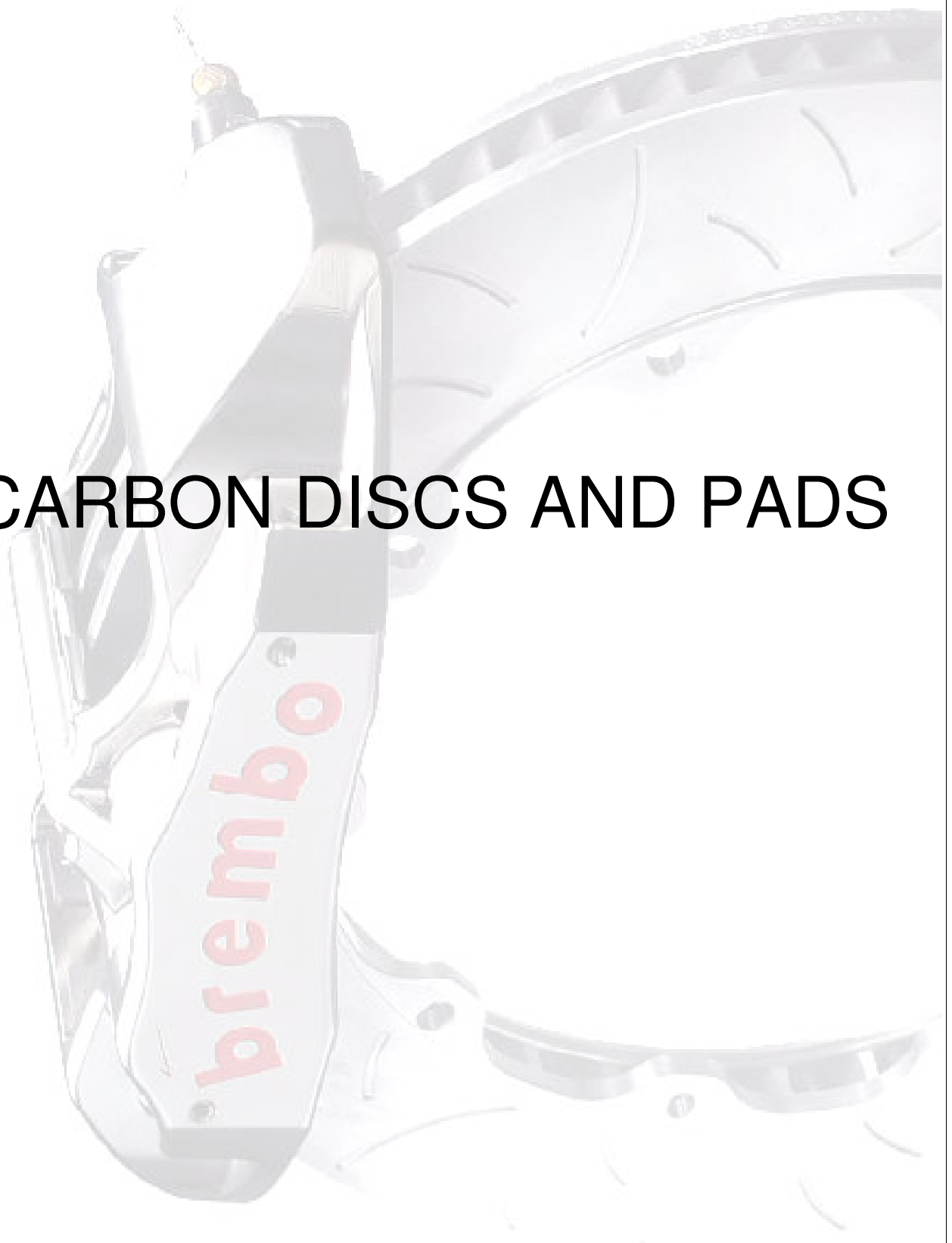
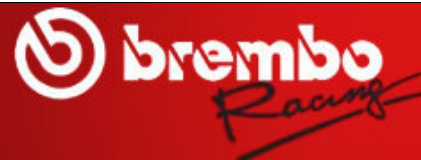


CARBON DISCS AND PADS

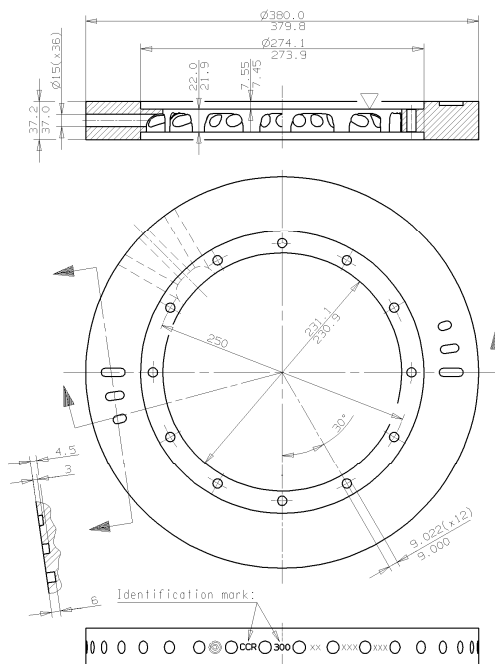




P/N 09.7843.11

TECHNICAL SPECIFICATION

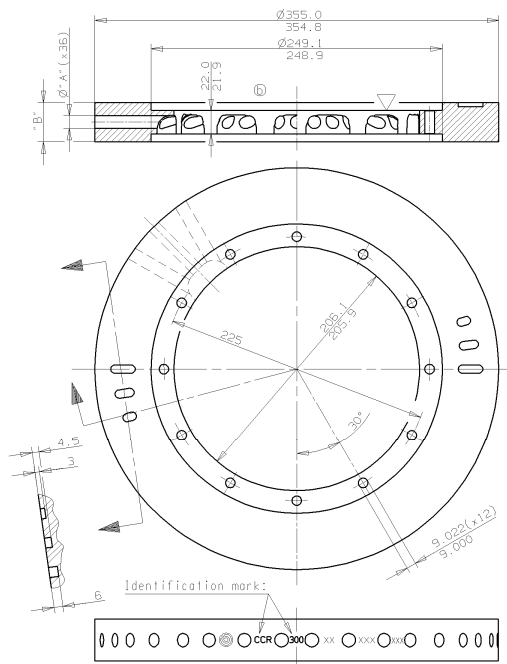
- Carbon Material **CCR300**
- Diameter [mm] **380**
- Thickness [mm] **37**
- Annulus [mm] **53**
- Ventilation holes [mm] **15**
- Weight [Kg] **3.15**
- Number of Fixings **12**
- Mounting Hole Center [mm] **250**
- Inside Diameter [mm] **274**
- Flange Inside Diameter [mm] **231**
- Flange Thickness [mm] **22**
- Related Pads **07.7844.10 07.9076.20 07.9076.30**

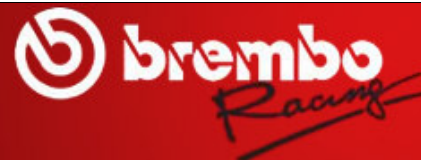
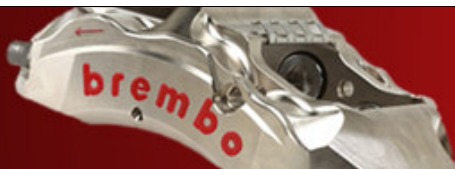


P/N 09.7843.21

TECHNICAL SPECIFICATION

- Carbon Material **CCR300**
- Diameter [mm] **355**
- Thickness [mm] **37**
- Annulus [mm] **53**
- Ventilation holes [mm] **15**
- Weight [Kg] **2.8**
- Number of Fixings **12**
- Mounting Hole Center [mm] **225**
- Inside Diameter [mm] **249**
- Flange Inside Diameter [mm] **206**
- Flange Thickness [mm] **22**
- Related Pads **07.7844.10 07.9076.20 07.9076.30**

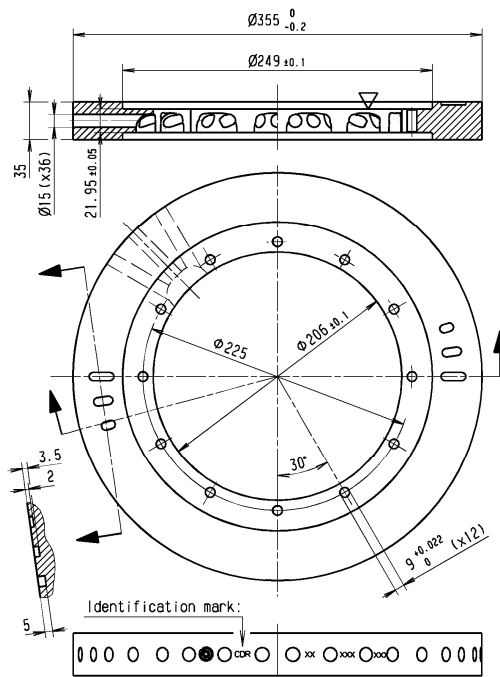




P/N 09.7843.55

TECHNICAL SPECIFICATION

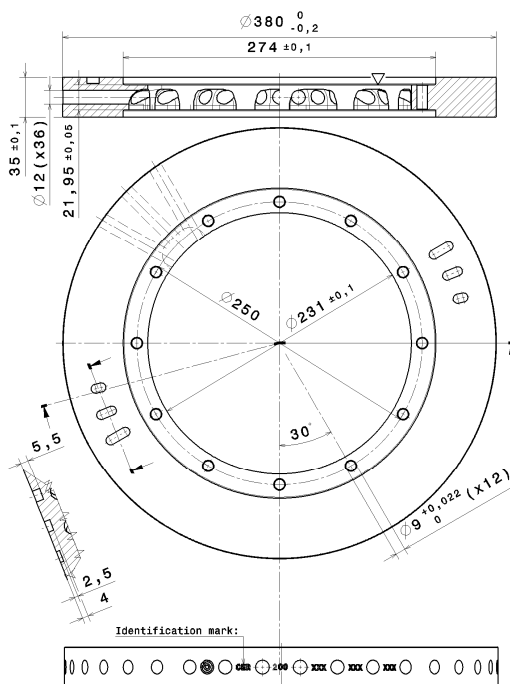
Carbon Material	CCR300
Diameter [mm]	355
Thickness [mm]	35
Annulus [mm]	53
Ventilation holes [mm]	15
Weight [Kg]	2.7
Number of Fixings	12
Mounting Hole Center [mm]	225
Inside Diameter [mm]	249
Flange Inside Diameter [mm]	206
Flange Thickness [mm]	22
Related Pads	07.9448.10

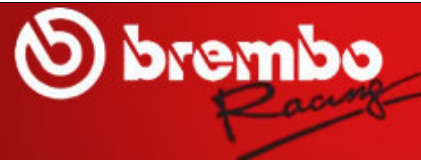
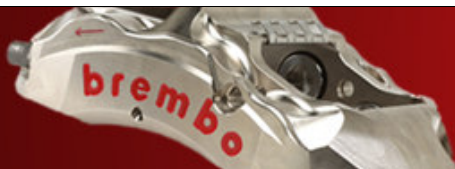


P/N XA6.M3.A2

TECHNICAL SPECIFICATION

Carbon Material	CER200
Diameter [mm]	380
Thickness [mm]	35
Annulus [mm]	53
Ventilation holes [mm]	12
Weight [Kg]	3,22
Number of Fixings	12
Mounting Hole Center [mm]	250
Inside Diameter [mm]	274
Flange Inside Diameter [mm]	231
Flange Thickness [mm]	22
Related Pads	07.9076.20 07.9076.10

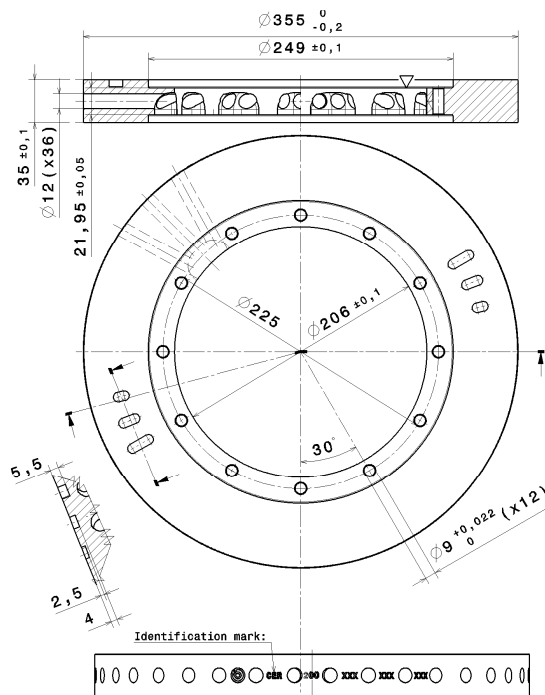




P/N XA6.M3.A3

TECHNICAL SPECIFICATION

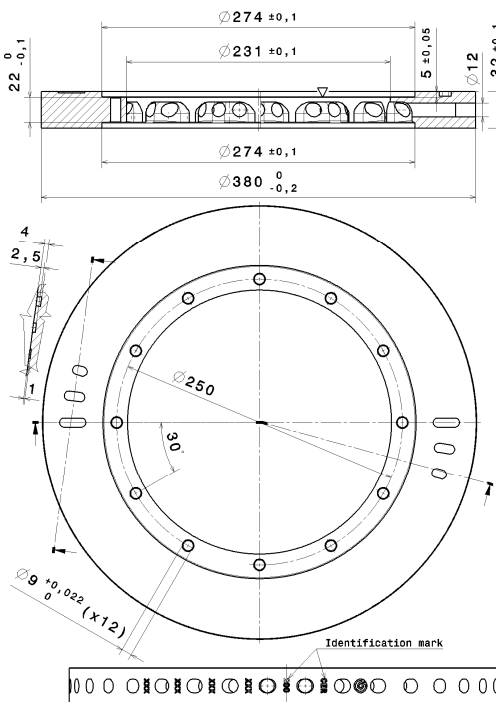
Carbon Material	CER200
Diameter [mm]	355
Thickness [mm]	35
Annulus [mm]	53
Ventilation holes [mm]	12
Weight [Kg]	2,92
Number of Fixings	12
Mounting Hole Center [mm]	225
Inside Diameter [mm]	249
Flange Inside Diameter [mm]	206
Flange Thickness [mm]	22
Related Pads	07.9076.20 07.9076.10

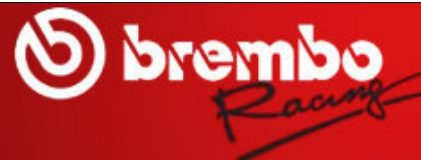


P/N XA6.M3.B2

TECHNICAL SPECIFICATION

Carbon Material	CER200
Diameter [mm]	380
Thickness [mm]	32
Annulus [mm]	53
Ventilation holes [mm]	12
Weight [Kg]	2,85
Number of Fixings	12
Mounting Hole Center [mm]	250
Inside Diameter [mm]	274
Flange Inside Diameter [mm]	231
Flange Thickness [mm]	22
Related Pads	07.9076.10

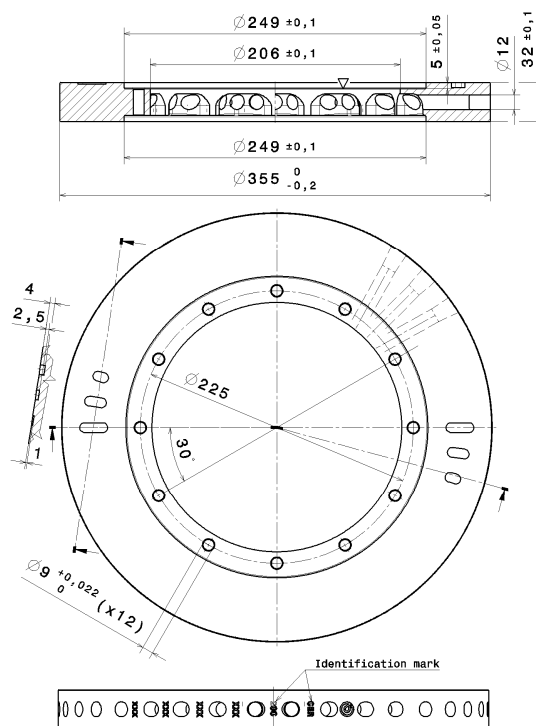


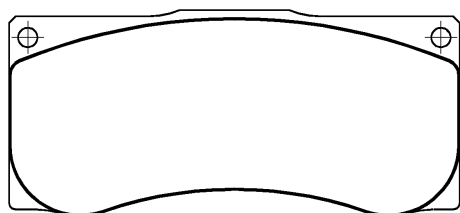
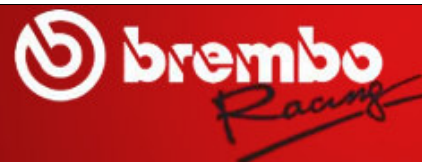


P/N XA6.M3.B3

TECHNICAL SPECIFICATION

Carbon Material	CER200
Diameter [mm]	355
Thickness [mm]	32
Annulus [mm]	53
Ventilation holes [mm]	12
Weight [Kg]	2,6
Number of Fixings	12
Mounting Hole Center [mm]	250
Inside Diameter [mm]	274
Flange Inside Diameter [mm]	231
Flange Thickness [mm]	22
Related Pads	07.9076.10





PAD FAMILY

Type"140 C-C"

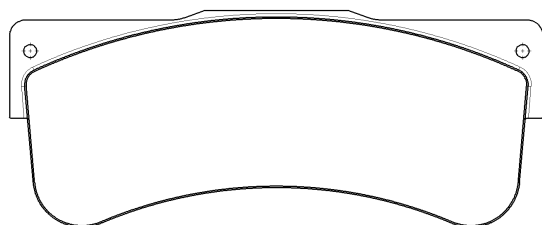
TECHNICAL SPECIFICATION

P/N: **07.7844.10**

Carbon Material: **CCR400**

Thickness[mm]: **26.5**

Annulus [mm]: **53.0**



PAD FAMILY Type"164 C-C"

TECHNICAL SPECIFICATION

P/N: **07.9076.10**

Carbon Material: **CCR400**

Thickness[mm]: **25**

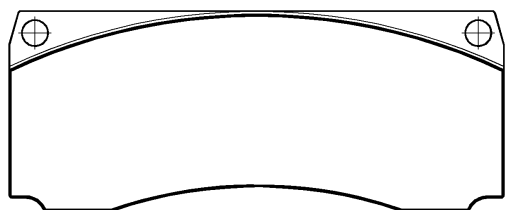
Annulus [mm]: **53.0**

P/N: **07.9076.20**

Carbon Material: **CCR400**

Thickness[mm]: **31.5**

Annulus [mm]: **53.0**



PAD FAMILY Type"152"

TECHNICAL SPECIFICATION

P/N: **07.9448.10**

Carbon Material: **CCR400**

Thickness[mm]: **25.0**

Annulus [mm]: **52.9**